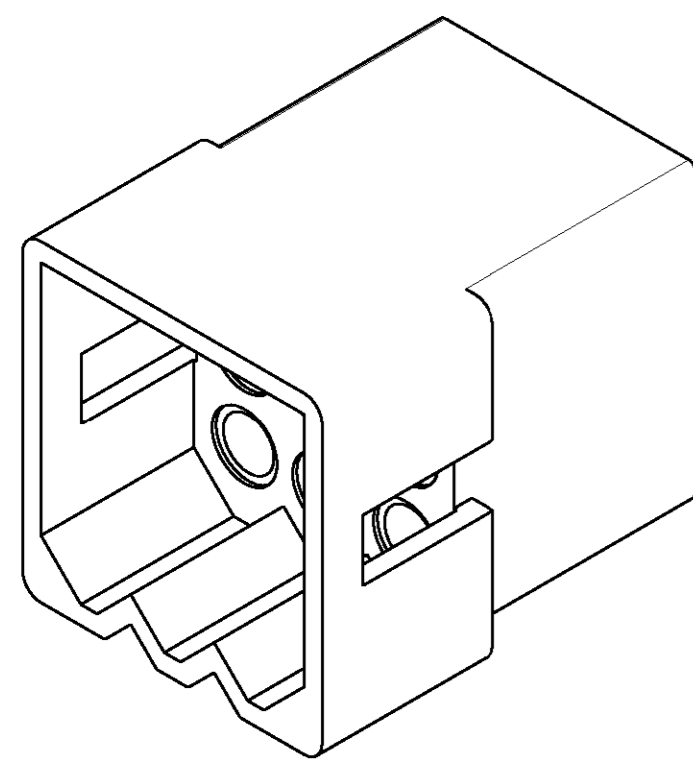
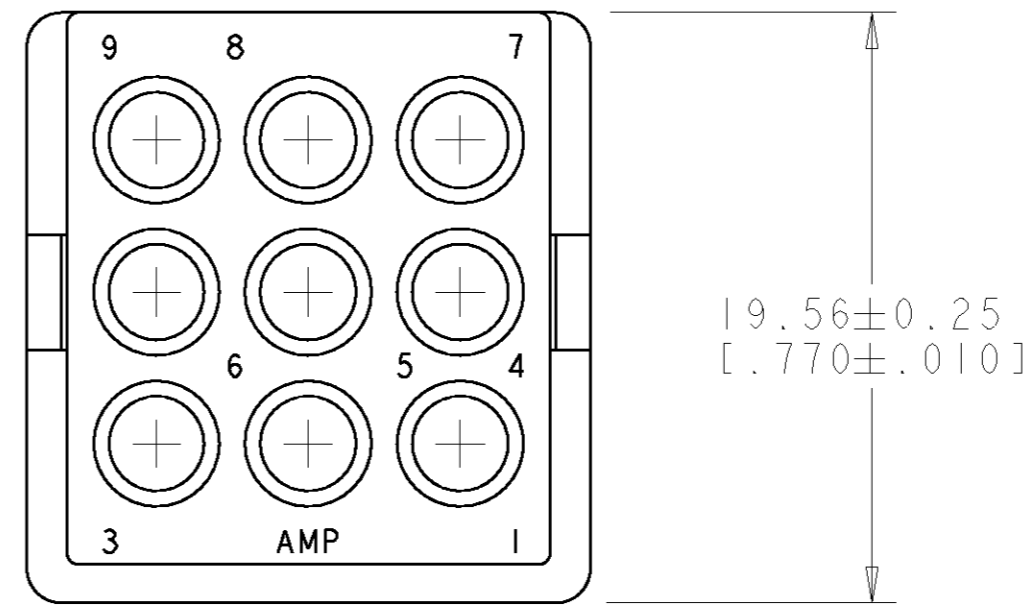
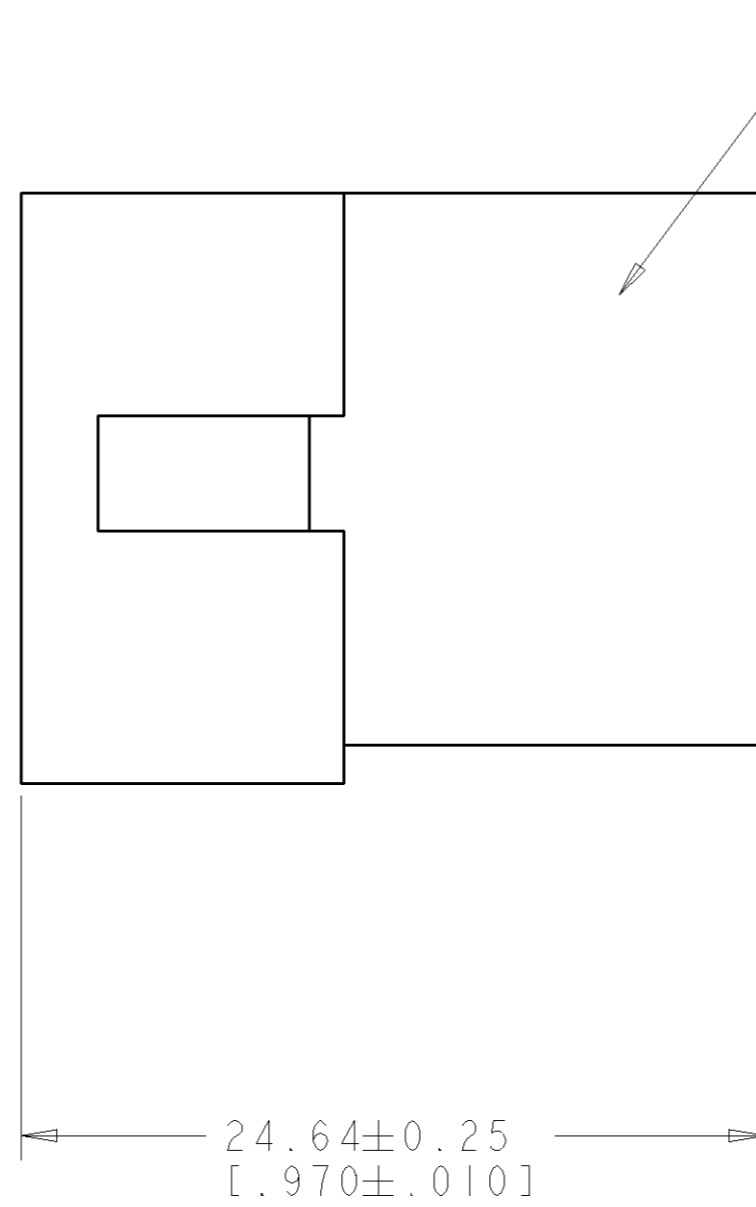
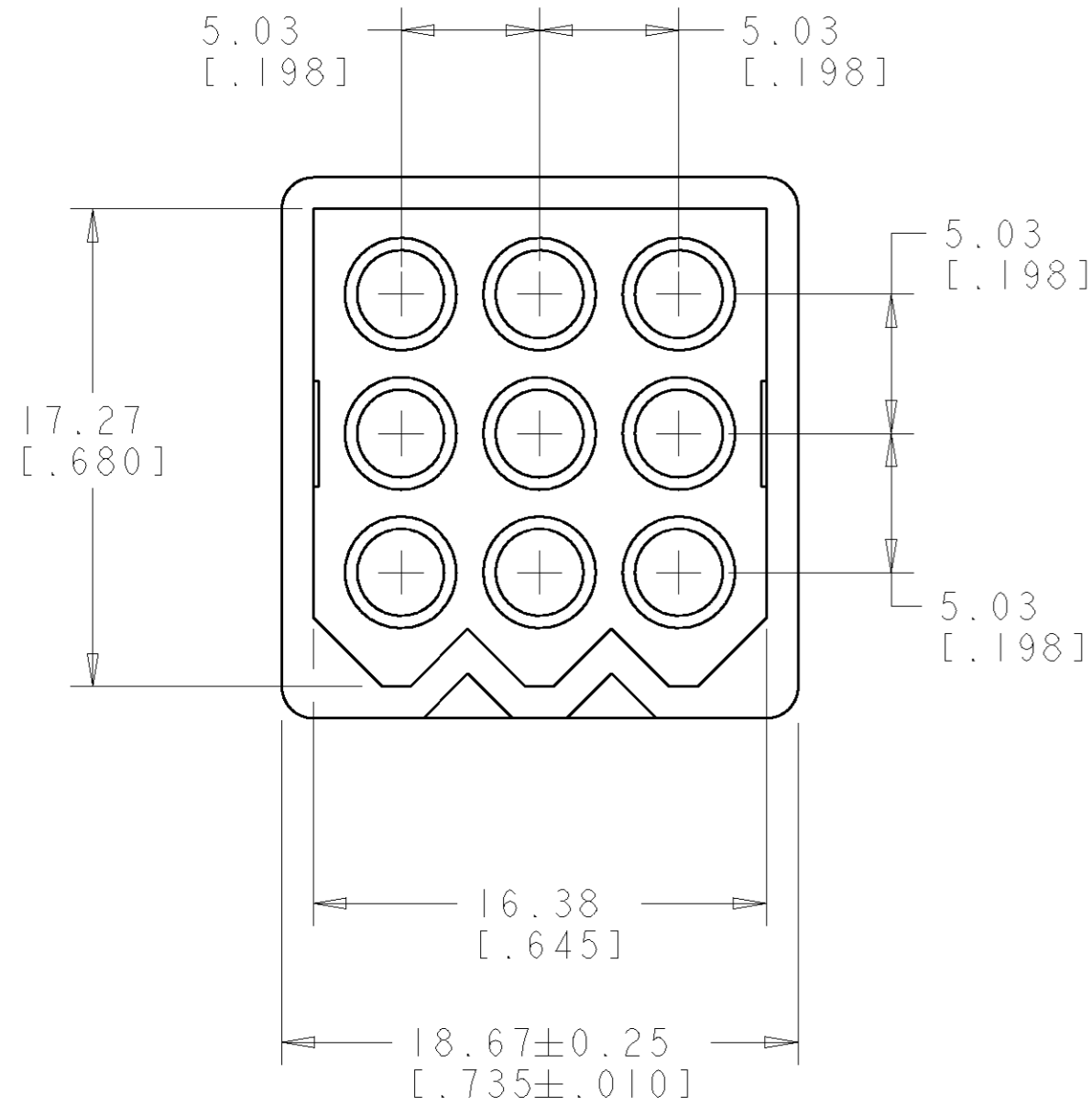


THIS DRAWING IS UNPUBLISHED. RELEASED FOR PUBLICATION 20  
 © COPYRIGHT 20 BY TYCO ELECTRONICS CORPORATION. ALL RIGHTS RESERVED.

LOC	DIST	REVISIONS					
		P	LTR	DESCRIPTION	DATE	DWN	APVD
CM	00		E	REVISED PER 063B-0087-02	21FEB2002	KW	DC

① MATERIAL: NYLON UL94V-2 (NATURAL).  
 ② MARKING FOR UL LOGO AND CSA LOGO LOCATED APPROXIMATELY AS SHOWN. (OPPOSITE SIDE OPTIONAL).



SCALE 3:1

METRIC

770096-1  
PART NUMBER

THIS DRAWING IS A CONTROLLED DOCUMENT FOR TYCO ELECTRONICS CORPORATION. IT IS SUBJECT TO CHANGE AND THE CONTROLLING ENGINEERING ORGANIZATION SHOULD BE CONTACTED FOR THE LATEST REVISION.		DWN K. WHITAKER 21FEB2002	Tyco Electronics Harrisburg, PA 17105-3608
DIMENSIONS: mm [INCHES]		CHK D. COLEY 21FEB2002	
TOLERANCES UNLESS OTHERWISE SPECIFIED: 0 PLC ± 1 PLC ± 2 PLC ±0.13 [.005] 3 PLC ± 4 PLC ±		APVD D. COLEY 21FEB2002	
MATERIAL FINISH		PRODUCT SPEC APPLICATION SPEC WEIGHT CUSTOMER DRAWING	
		NAME PLUG, 9 CIRCUIT, COMMERCIAL PIN AND SOCKET SIZE A2 CAGE CODE 00779 DRAWING NO 770096 RESTRICTED TO - SCALE 4:1 SHEET 1 OF 1 REV E	