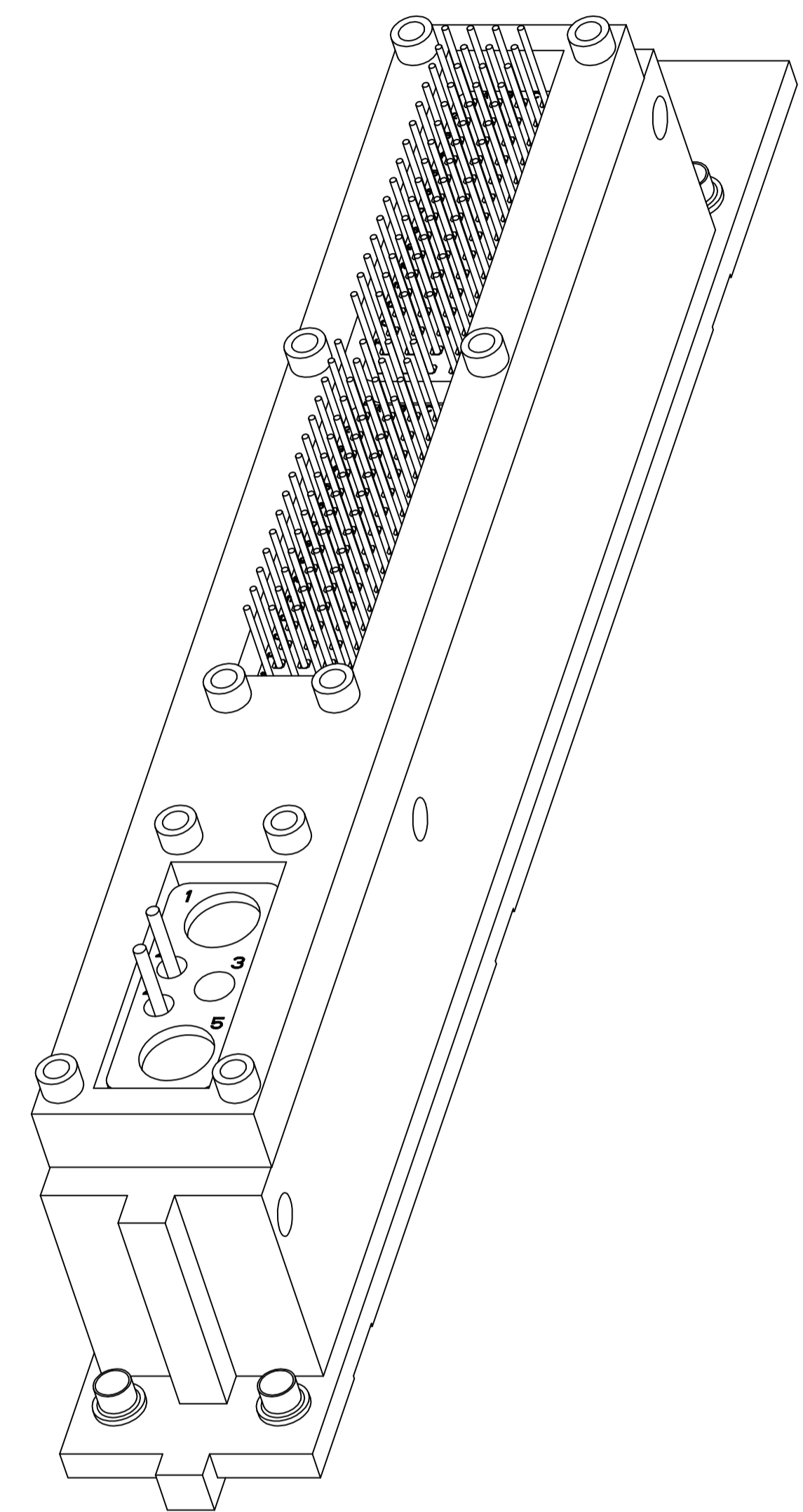
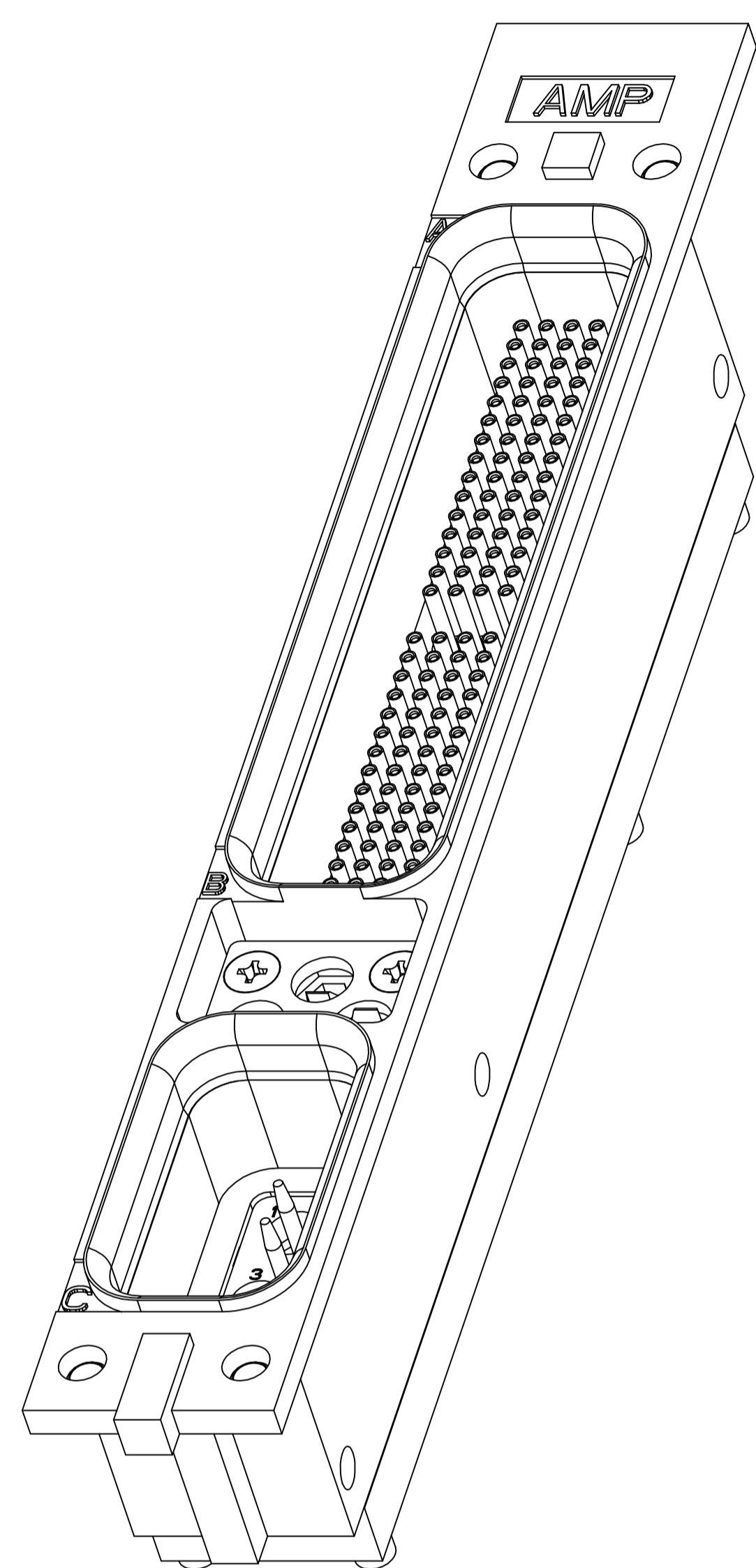


"04"	MODULE A: SZ 22 POSTED PIN CONTACT: TE P/N 211431-6 (QTY=60) MODULE B: SZ 22 POSTED PIN CONTACT: TE P/N 211431-6 (QTY=60) MODULE C: SZ 16 POSTED PIN CONTACT: TE P/N 1663128-8 (QTY=2) LOADED IN POSITION #2 & 4 SZ 12 SEALING PLUG: TE P/N 1663605-1 (QTY=1) LOADED IN POSITION #3 SZ 5 SEALING PLUG: TE P/N 205975-1 (QTY=1) LOADED IN POSITION #5	1663302-3
"01"	MODULE A: SZ 22 POSTED PIN CONTACT: TE P/N 211431-6 (QTY=60) MODULE B: SZ 22 POSTED PIN CONTACT: TE P/N 211431-6 (QTY=60) MODULE C: SZ 16 POSTED PIN CONTACT: TE P/N 1663128-8 (QTY=2) LOADED IN POSITION #2 & 4 SZ 12 SEALING PLUG: TE P/N 1663605-1 (QTY=1) LOADED IN POSITION #3 SZ 5 SEALING PLUG: TE P/N 205975-1 (QTY=1) LOADED IN POSITION #5	1663302-2
"01"	MODULE A: SZ 22 POSTED PIN CONTACT: TE P/N 211431-6 (QTY=60) MODULE B: SZ 22 POSTED PIN CONTACT: TE P/N 211431-6 (QTY=60) MODULE C: SZ 16 POSTED PIN CONTACT: TE P/N 1663128-8 (QTY=2) LOADED IN POSITION #2 & 4 SZ 12 SEALING PLUG: TE P/N 1663605-1 (QTY=1) LOADED IN POSITION #3 SZ 5 SEALING PLUG: TE P/N 205975-1 (QTY=1) LOADED IN POSITION #5	1663302-1
KEYING POSITION	CONTACTS & SEALING PLUGS INCLUDED AND INSTALLED	PART NUMBER

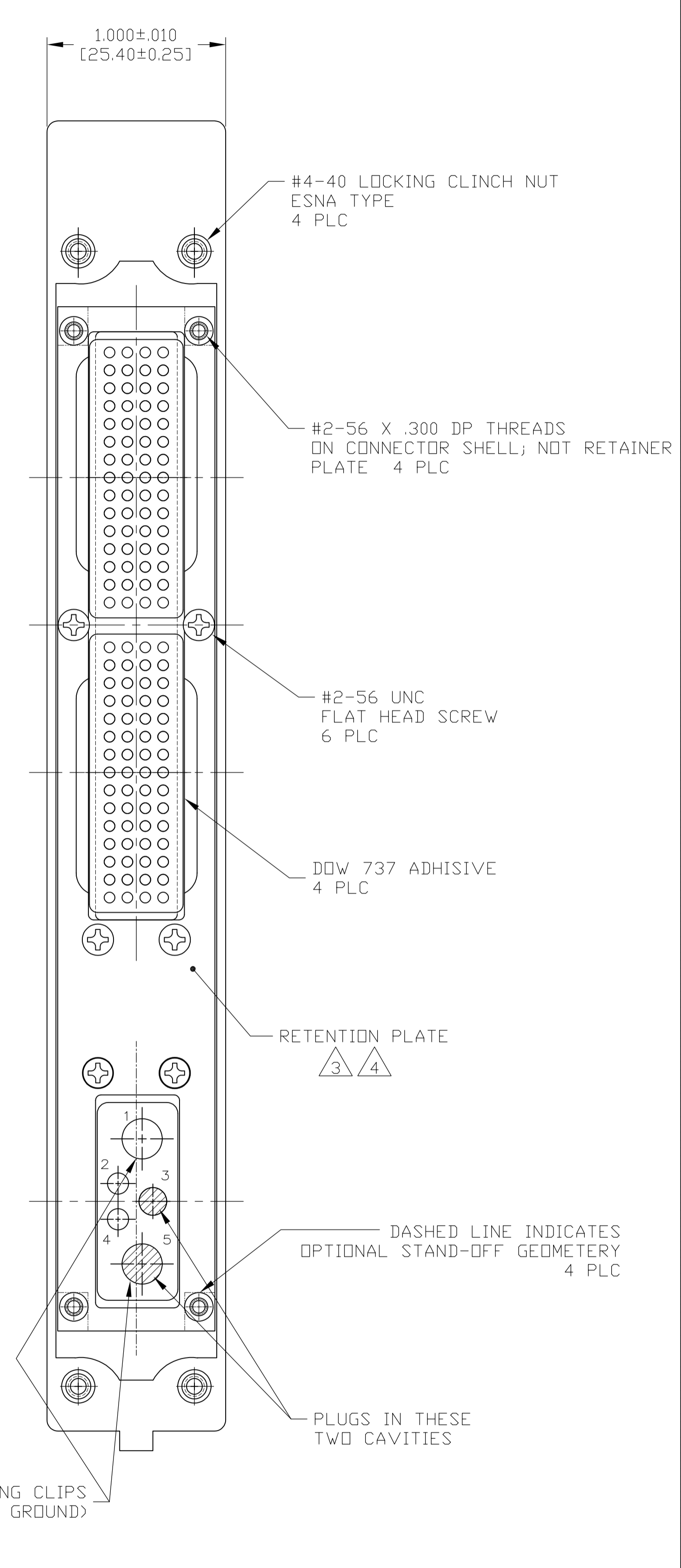
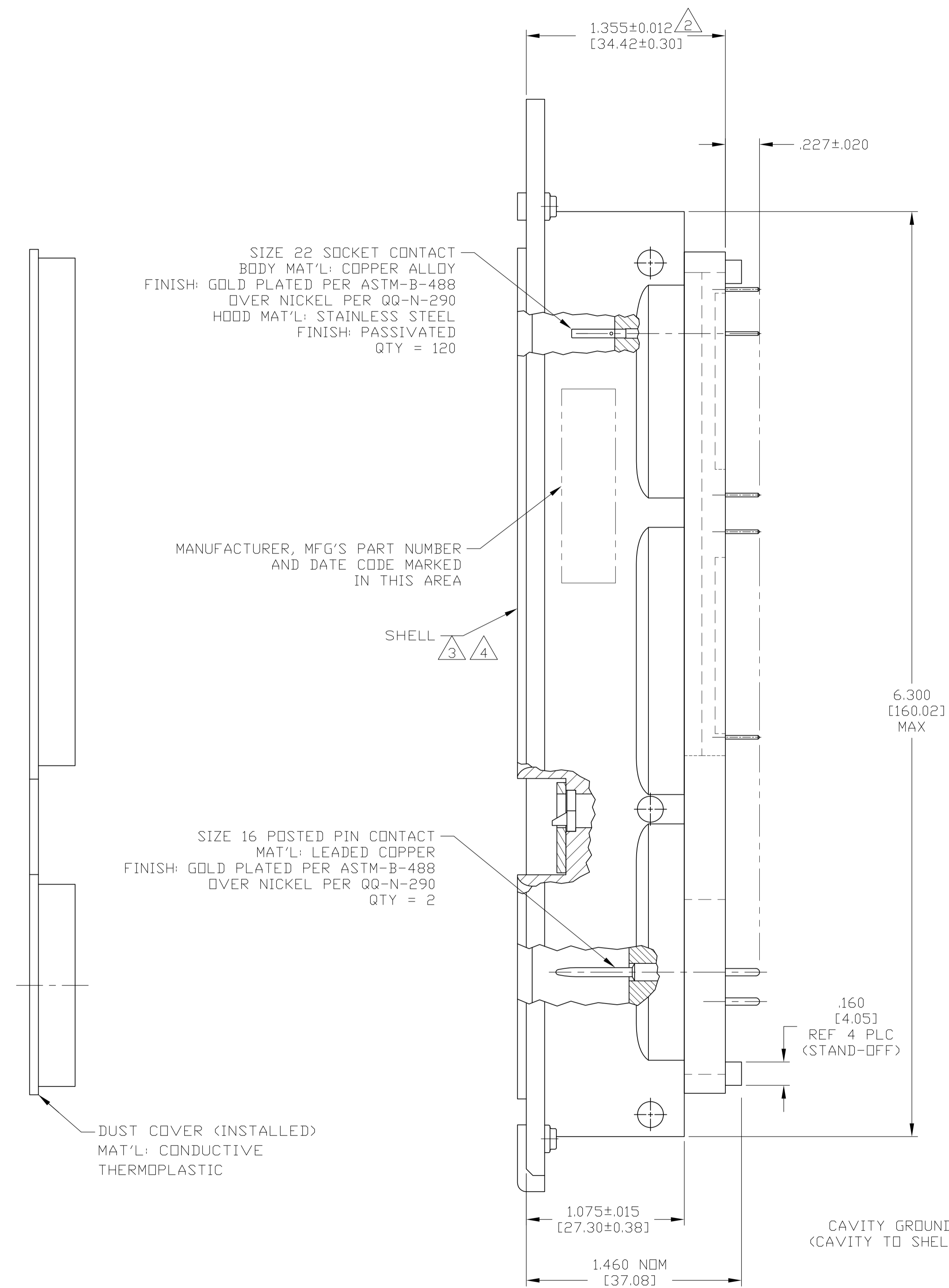
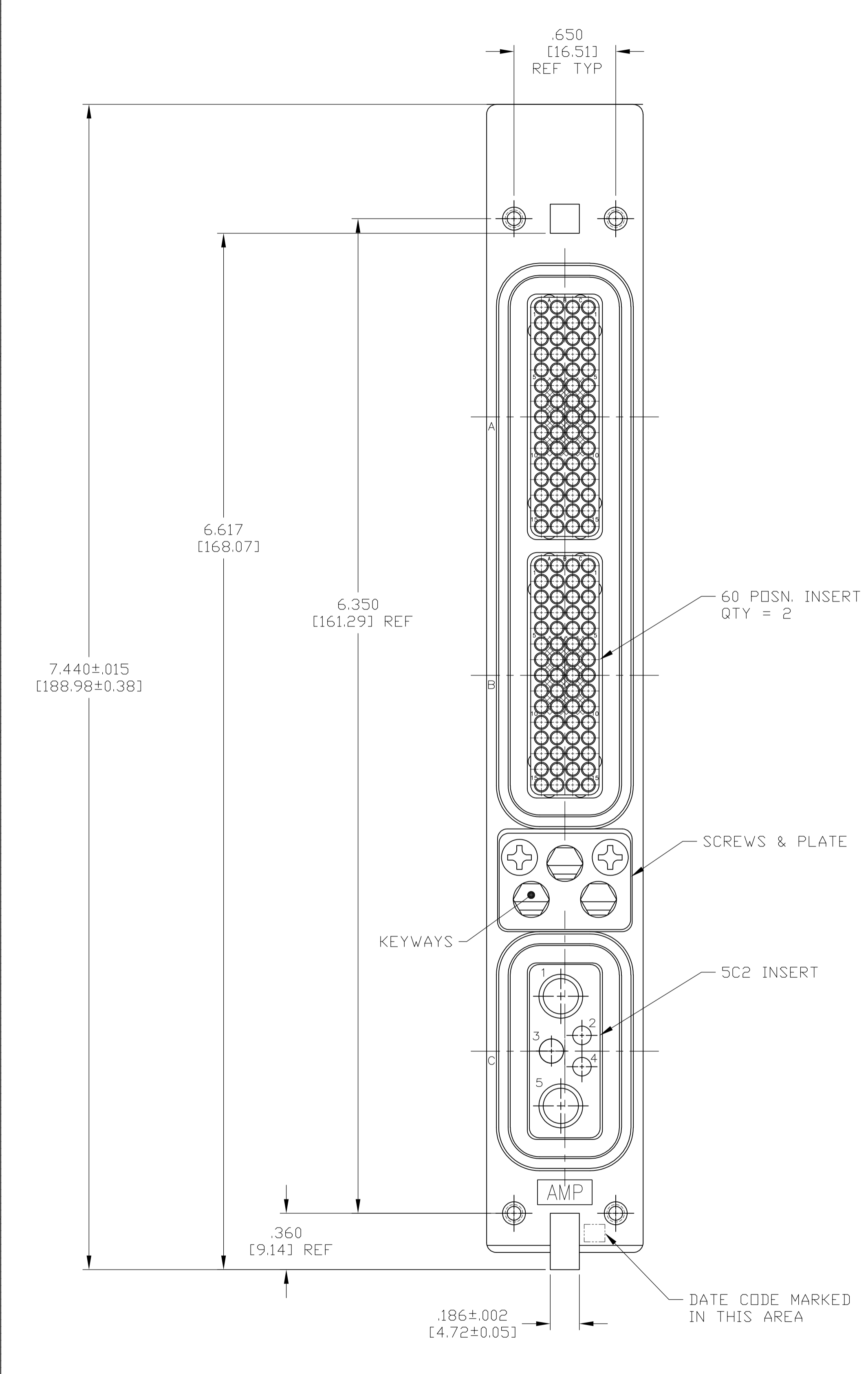


COMPONENT	MATERIAL	FINISH
SHELL	SEE TABLE	SEE TABLE
HOUSING RETENTION PLATE	SEE TABLE	SEE TABLE
FLAT HEAD SCREWS	STAINLESS STEEL	PASSIVATED
POLARIZING KEYS	ZINC ALLOY PER ASTM-B-86	-
POLARIZING KEY RETAINING PLATE	ALUMINUM ALLOY PER ASTM-B-209	BLUE ANODIZED PER MIL-A-8625
60 & 5C2 INSERTS	THERMOSET	-
FILLER PLUG	TEFLON	-

- PARTS MEET THE REQUIREMENTS OF THE ARINC 600 SPECIFICATION.
- EPOXY MATERIAL MAY FORM A .040 [1.01] BEAD BEYOND THIS DIMENSION.
- SHELL & RETENTION PLATE MATERIAL: ALUMINUM ALLOY A380 PER QQ-A-591 FINISH: CHROMATE PER MIL-C-5541, CLASS 1A.
- SHELL & RETENTION PLATE MATERIAL: ALUMINUM ALLOY A380 PER QQ-A-591 FINISH: ELECTROLESS NICKEL PER MIL-C-26074.
- KEYING SHOWN IN POSITION FOR REFERENCE ONLY. SEE TABLE FOR KEYING POSITION. FOR POSITION "00" KEYING SHIPPED UNASSEMBLED.

3	"04"	1663302-3
4	"01"	1663302-2
3	"01"	1663302-1
SHELL MAT'L & FINISH	KEYING POSITION	PART NO.

THIS DRAWING IS A CONTROLLED DOCUMENT.		DIN C.C.THOMAS 1-28-03	Tyco Electronics Corporation Harrisburg, PA 17105	
DIMENSIONS: INCHES [mm]		CHK LARRY OH 1-28-03	APVD LARRY OH 1-28-03	
TOLERANCES UNLESS OTHERWISE SPECIFIED:		NAME RECEPTACLE ASSEMBLY, SIZE ONE ARINC 600, FRONT RELEASE FILTERED SPECIAL		
0. PLC ± -		SIZE A1		
1. PLC ± -		CAGE CODE 00779		
2. PLC ± -		DRAWING NO. 1663302		
3. PLC ± .005 [0.13]		RESTRICTED TO		
4. PLC ± -		CUSTOMER DRAWING		
ANGLES ± -		SCALE 2:1		
MATERIAL SEE CALLOUT		SHEET 1 OF 2		
FINISH SEE CALLOUT		REV H		



THIS DRAWING IS A CONTROLLED DOCUMENT.		DIN C.C.THOMAS 1-28-03	Tyco Electronics Tyco Electronics Corporation Harrisburg, PA 17105												
DIMENSIONS: INCHES [mm]		CHK LARRY OH 1-28-03													
TOLERANCES UNLESS OTHERWISE SPECIFIED:		APVD LARRY OH 1-28-03	NAME RECEPTACLE ASSEMBLY, SIZE ONE ARINC 600, FRONT RELEASE FILTERED SPECIAL												
<table border="1"> <tr><td>0 PLC</td><td>± .005</td></tr> <tr><td>1 PLC</td><td>± .005</td></tr> <tr><td>2 PLC</td><td>± .005</td></tr> <tr><td>3 PLC</td><td>± .005 [0.13]</td></tr> <tr><td>4 PLC</td><td>± .005</td></tr> <tr><td>ANGLES</td><td>± .005</td></tr> </table>		0 PLC	± .005	1 PLC	± .005	2 PLC	± .005	3 PLC	± .005 [0.13]	4 PLC	± .005	ANGLES	± .005	APPLICATION SPEC	SIZE A1
0 PLC	± .005														
1 PLC	± .005														
2 PLC	± .005														
3 PLC	± .005 [0.13]														
4 PLC	± .005														
ANGLES	± .005														
MATERIAL SEE CALLOUT		WEIGHT	CAGE CODE 00779												
FINISH SEE CALLOUT		RESTRICTED TO	DRAWING NO 1663302												
CUSTOMER DRAWING		SCALE 2:1	SHEET 2 OF 2												