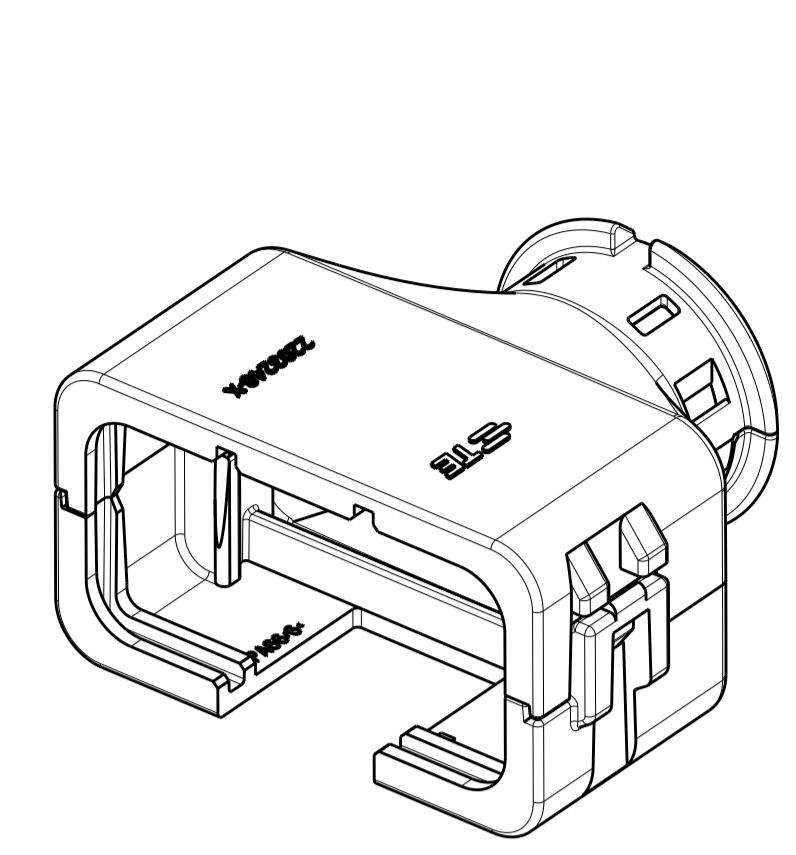
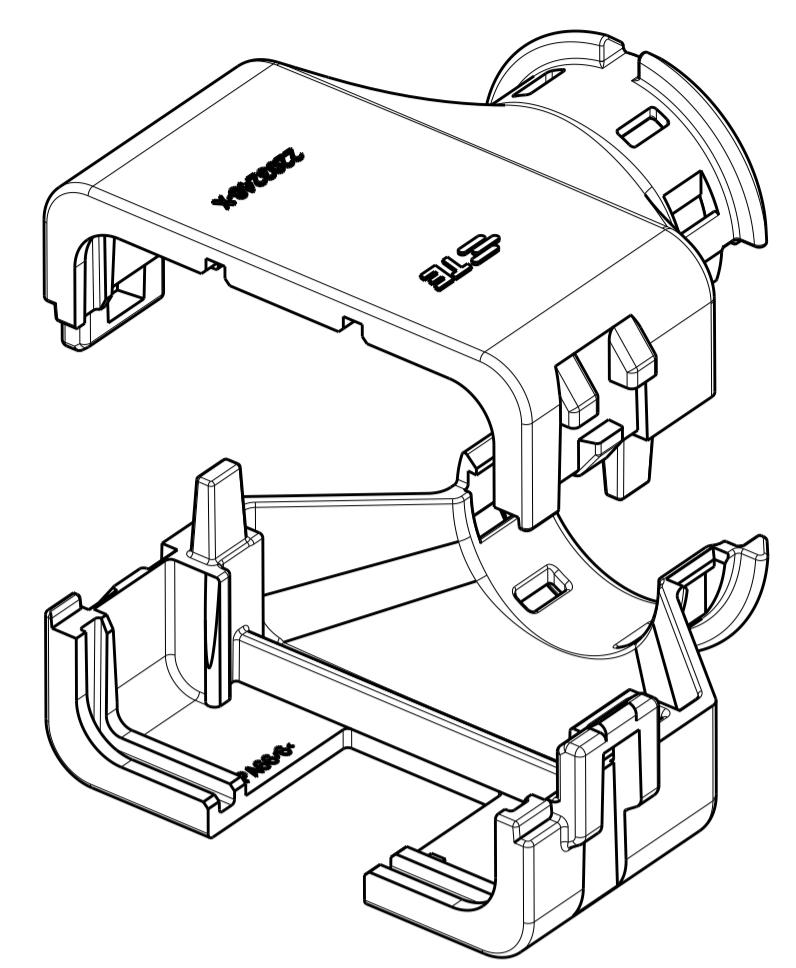


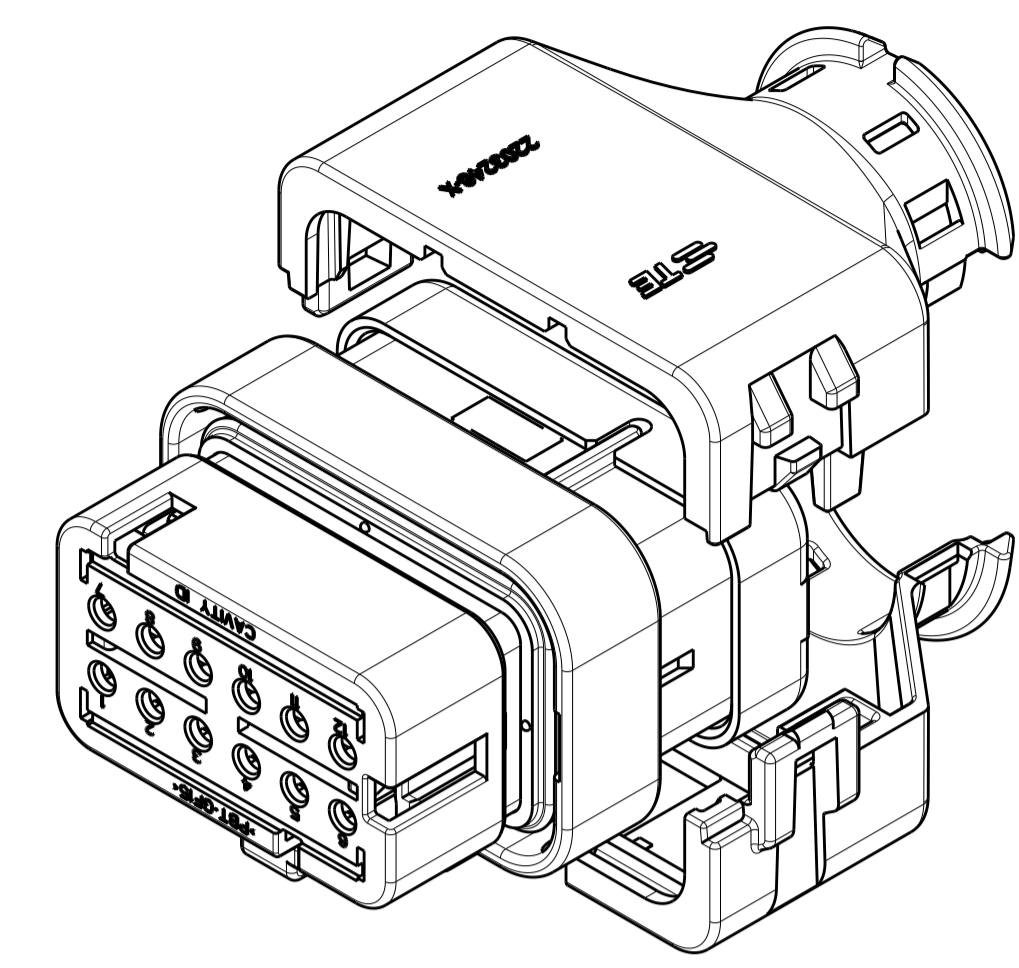
REVISIONS				
P.	LTN	DESCRIPTION	DATE	APVD
A		RELEASED PER ECO-15-010501	17JUL2015	JM RB
A1		REV PER ECO-16-008350	02JUN2016	JM RB
A2		REV PER ECO-16-013256	08SEP2016	JM RB



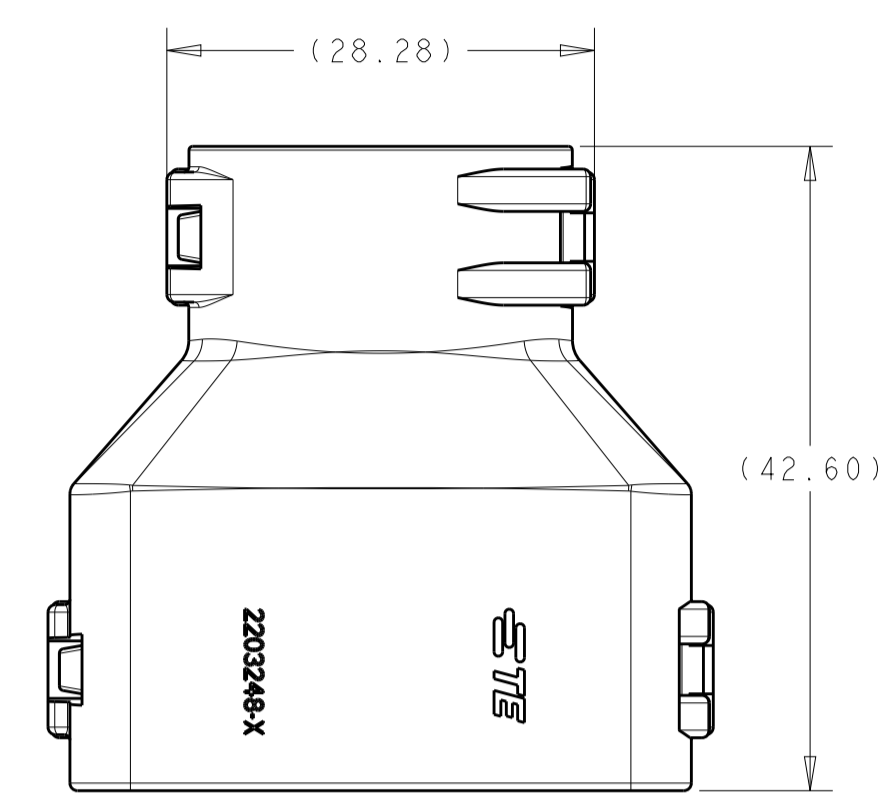
2292802-1
ASSEMBLED ISOMETRIC VIEW SHOWN



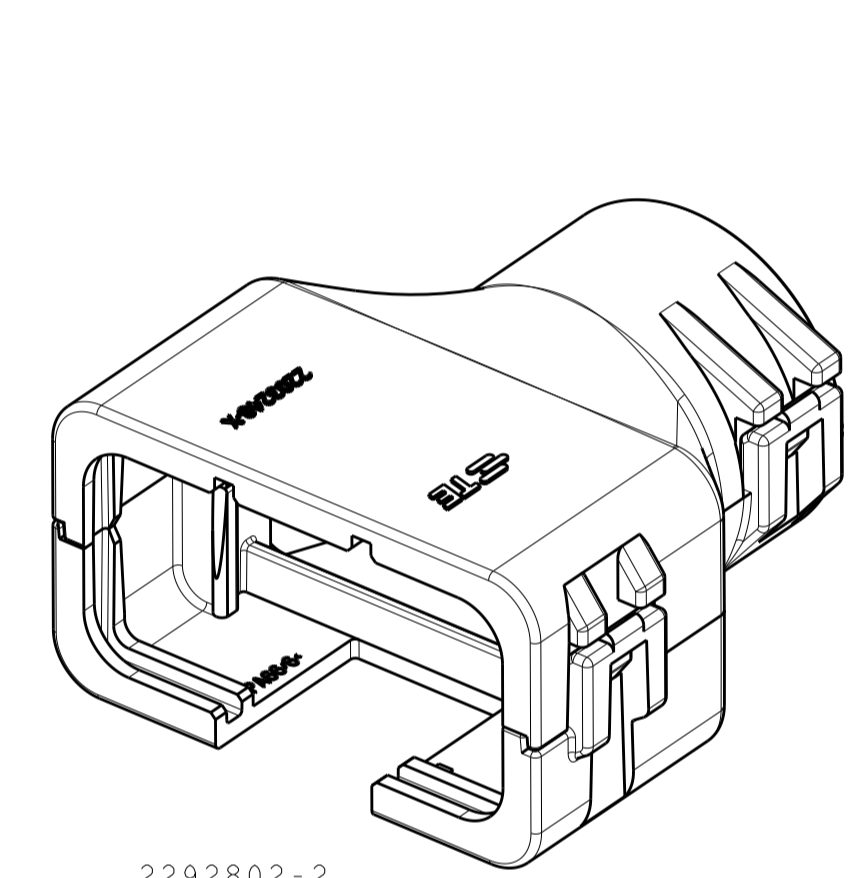
2292802-1
EXPLODED ISOMETRIC VIEW SHOWN



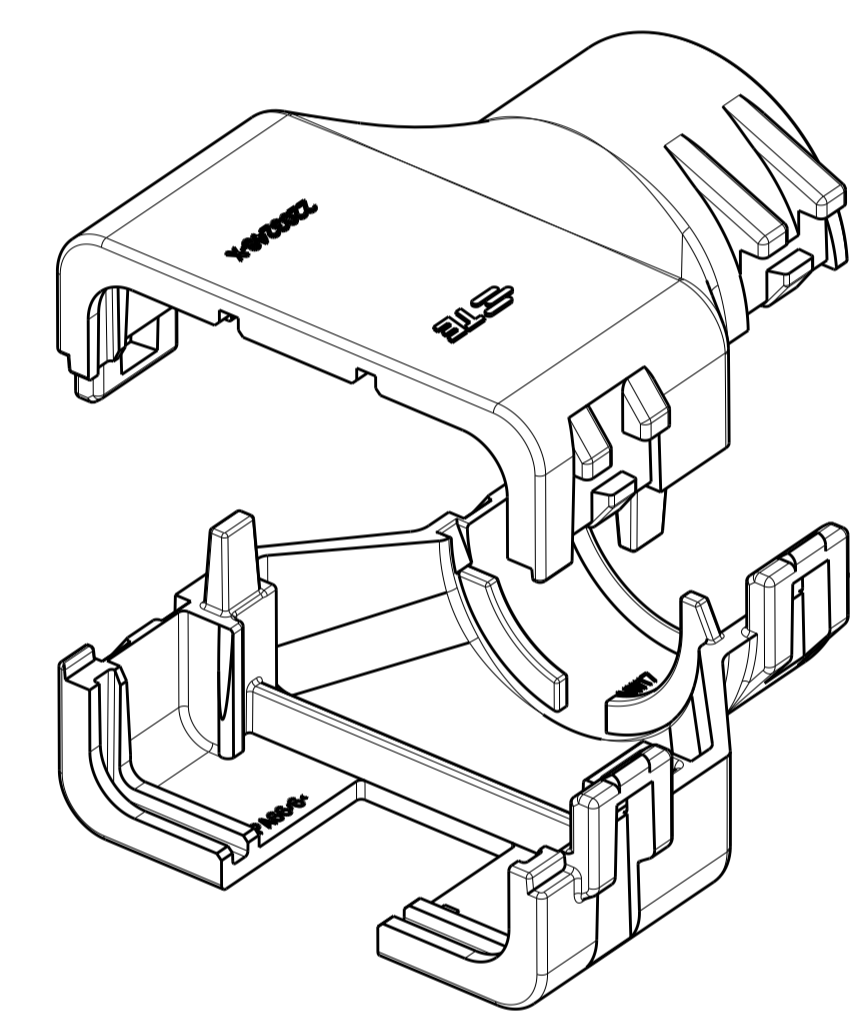
2292802-1
WITH PLUG ASSEMBLY
EXPLODED ISOMETRIC VIEW SHOWN



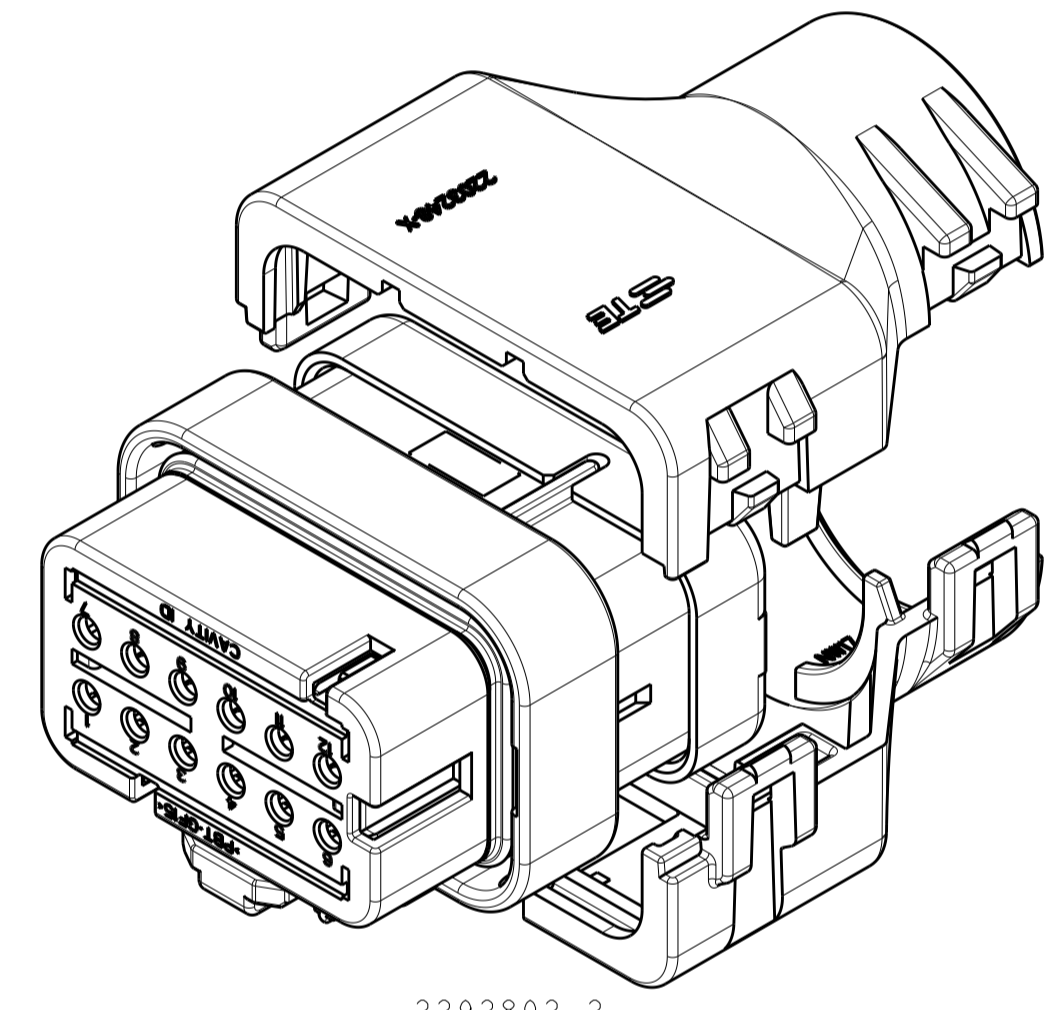
2292802-2
ASSEMBLED VIEW SHOWN
DIMENSIONS SHOWN TYPICAL FOR -2 AND -3 ONLY



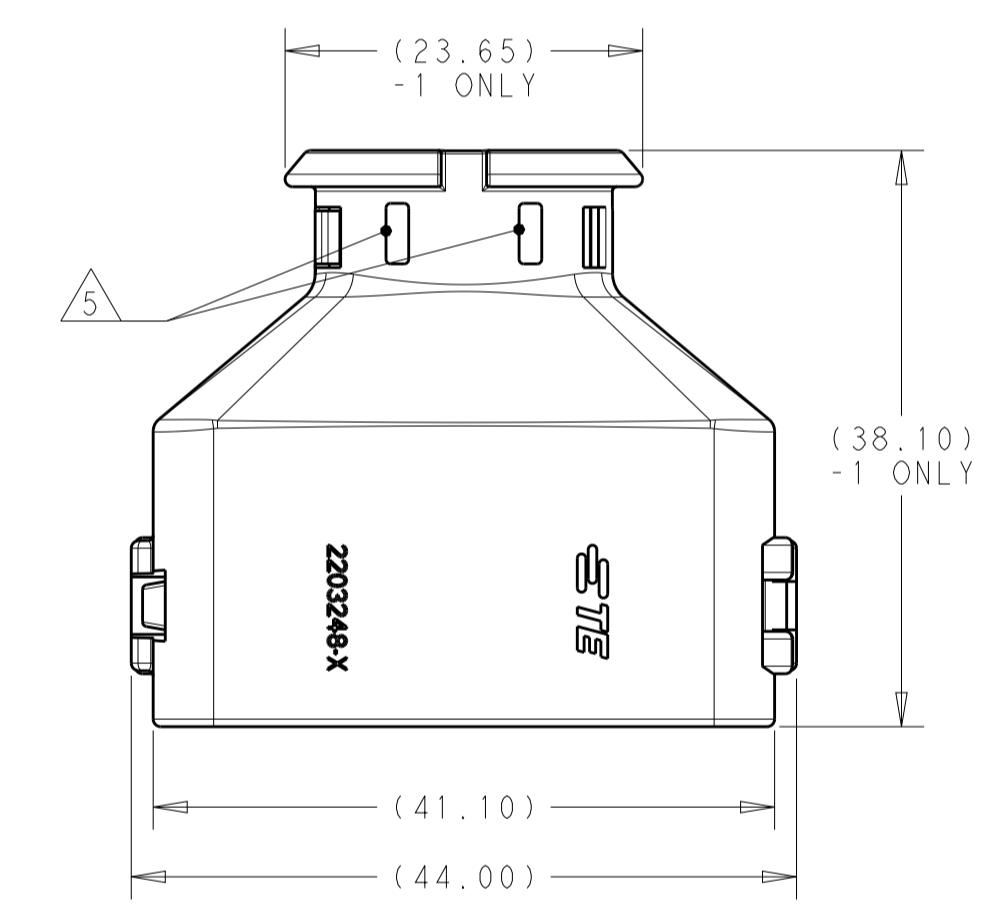
2292802-2
ASSEMBLED ISOMETRIC VIEW SHOWN



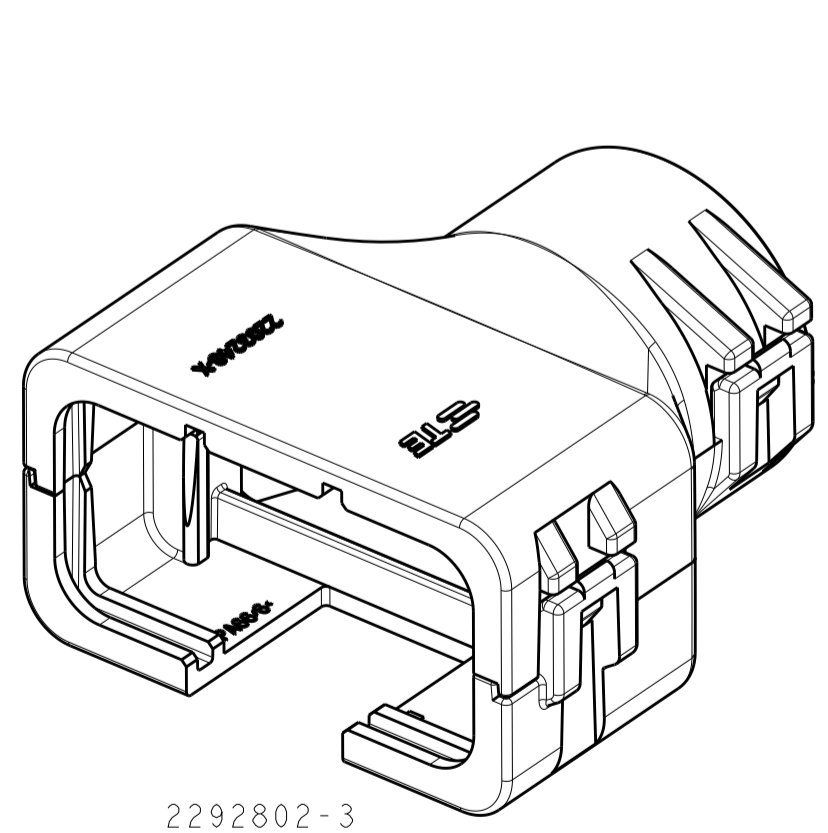
2292802-2
EXPLODED ISOMETRIC VIEW SHOWN



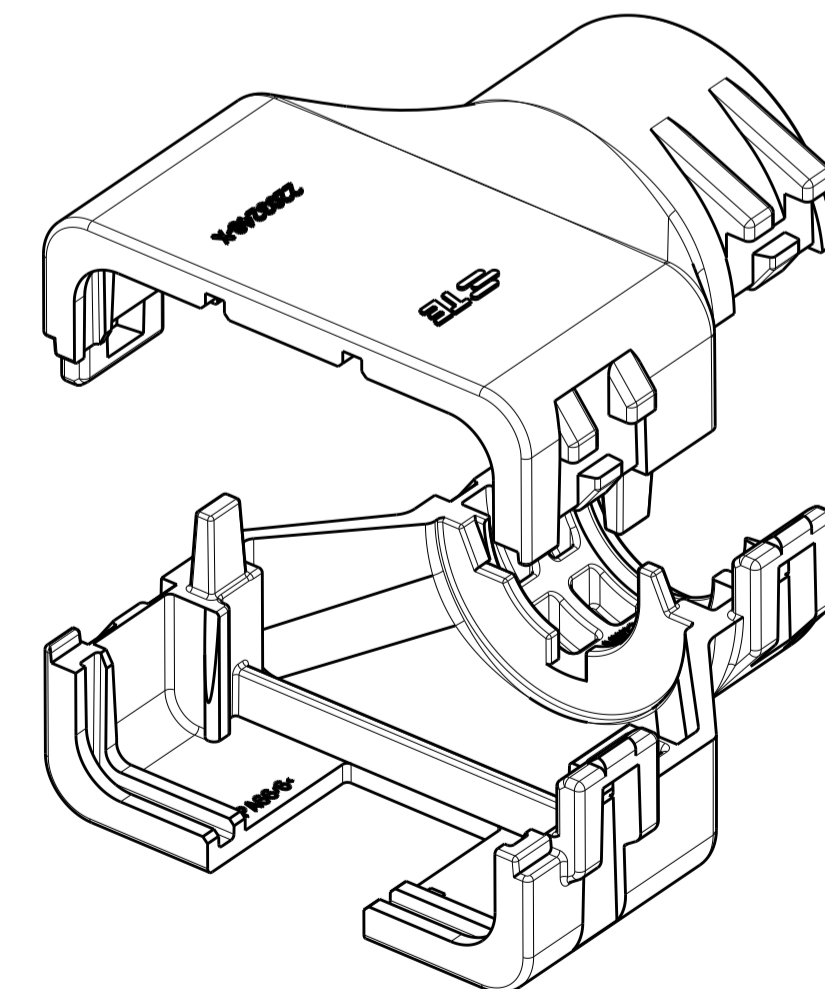
2292802-2
WITH PLUG ASSEMBLY
EXPLODED ISOMETRIC VIEW SHOWN



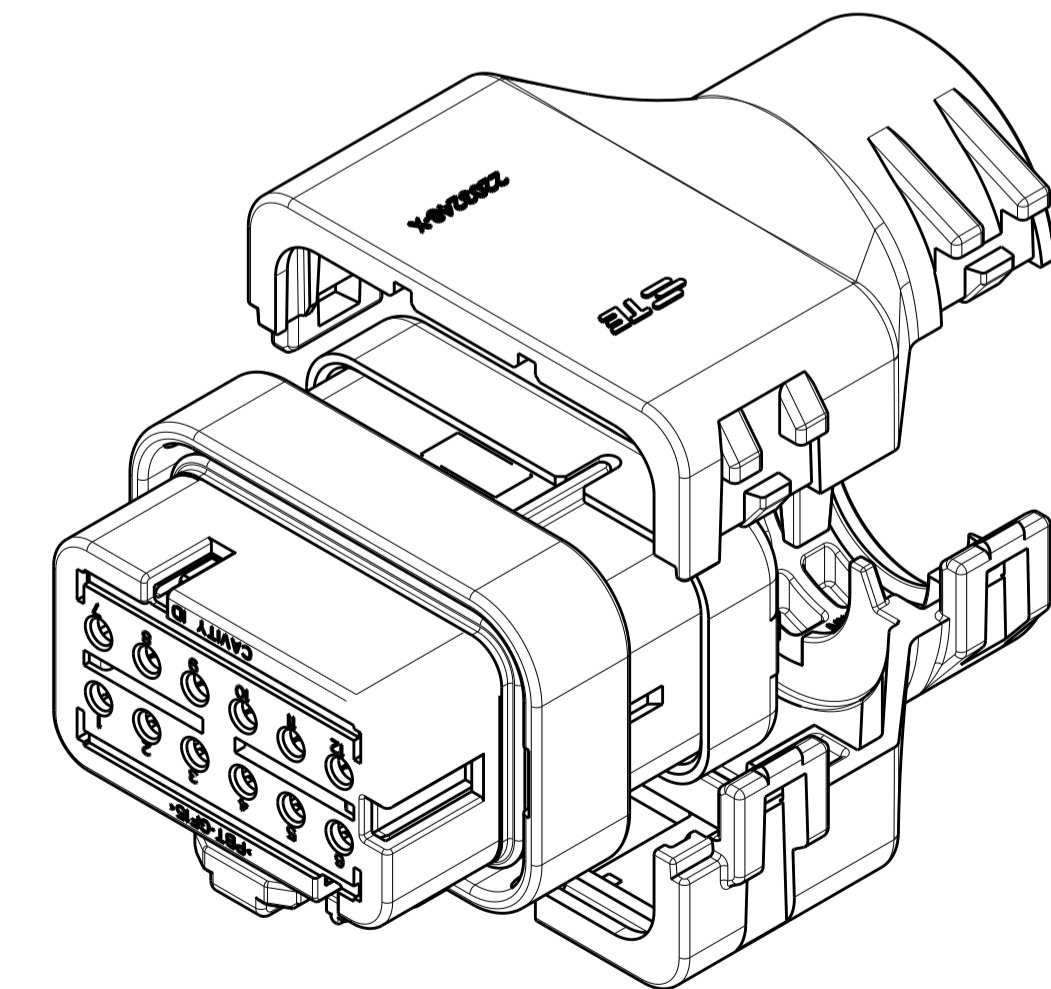
2292802-1
ASSEMBLED VIEW SHOWN
DIMENSIONS SHOWN TYPICAL FOR ALL PART NUMBERS
EXCEPT AS NOTED



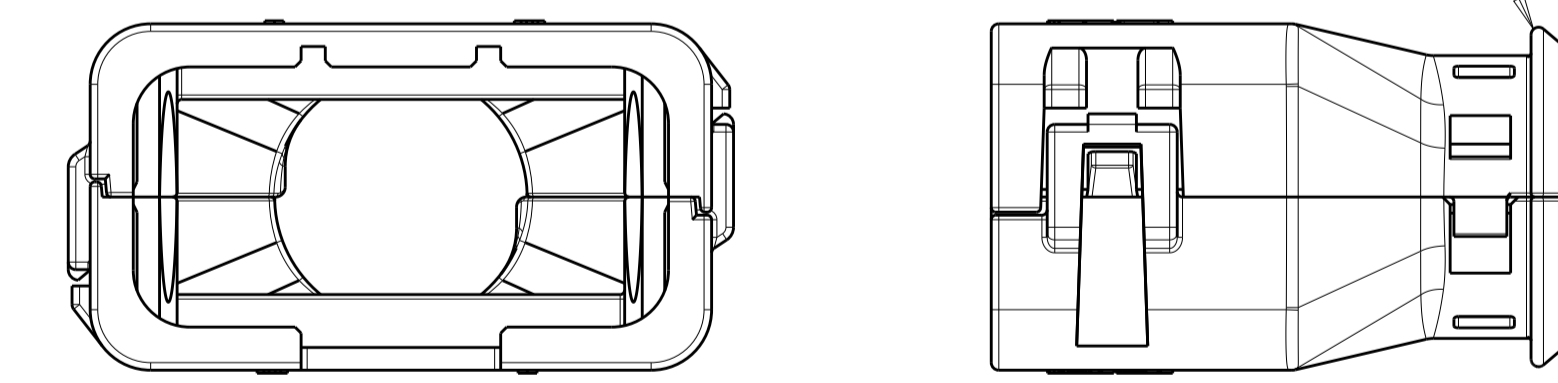
2292802-3
ASSEMBLED ISOMETRIC VIEW SHOWN



2292802-3
EXPLODED ISOMETRIC VIEW SHOWN



2292802-3
WITH PLUG ASSEMBLY
EXPLODED ISOMETRIC VIEW SHOWN



- 1 MATERIAL: NYLON MOLDING COMPOUND, BLACK, PA66/6.
- 2 BACKSHELL DESIGNED SUCH THAT TWO HALVES ATTACH TO ONE ANOTHER AND CLAMP AROUND THE CONNECTOR COVER.
- 3 DIMENSIONS TO BE MEASURED WHEN BACKSHELLS ASSEMBLED.
- 4 PRODUCT WEIGHTS:
2292802-1: 7.23g ASSEMBLED
2292802-2: 9.06g ASSEMBLED
2292802-3: 10.36g ASSEMBLED
- 5 4mm WIDE SLOTS FOR TIE WRAP TO SECURE HARNESS WIRES (-1 ONLY).
- 6 HEAT SHRINK TUBING RETENTION FEATURE (-1 ONLY).
- 7. INSTRUCTION SHEET: 408-151043.
- 8. CONDUIT PROFILE: NORMAL ONLY.

FITS ON PLUG ASSY	CORREGATE NC	CORREGATE NW	PART NUMBER
NC16	NW13		2292802-3
NC20	NW17		2292802-2
SMOOTH	SMOOTH		2292802-1

THIS DRAWING IS A CONTROLLED DOCUMENT.

APVD: J. MCNEAL 22JUN2015
 CHK: R. BALTER 22JUN2015

NAME: BACKSHELL KIT, 12 POSITION PLUG ASSY AMPSEAL 16

PRODUCT SPEC: 108-151043

APPLICATION SPEC:

SIZE: CAGE CODE DRAWING NO: A100779C=2292802

RESTRICTED TO:

SCALE: 2:1 SHEET 1 OF 1 REV: A2