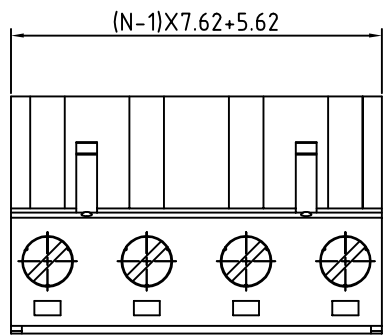
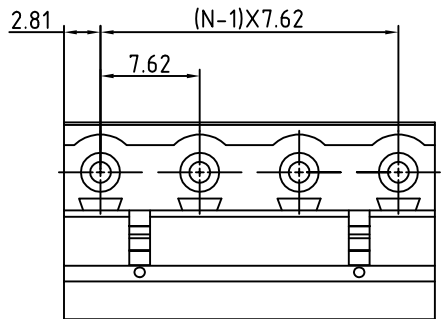
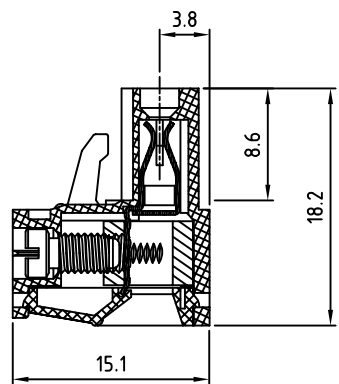


SIGN	DATE	DESCRIPTION	APPROVER
		<i>THIS IS CAD DRAWING, DO NOT REVISE MANUALLY!!!</i>	



N=Number of poles



Material

- Terminal body
(metal housing): Brass(CuZn)
- Terminal screw: Steel Zinc plating "-" slot type
- Wire guard: PhBz ,Tin plated
- Insulator (housing): Thermoplastic (UL94V-0)

Electrical cULus

- Voltage rating: 300VAC
- Current rating: 20A
- Wire range:
Solid wire(AWG): 12-24
Stranded wire(AWG): 12-24
- Torque: 5Lb-In
- Screw: M3
- Wire strip length: 7-8mm
- Withstanding Voltage: 1.6KV
- Operating temperature: -30°C to +105°C
- Safety Approval: us

RoHS Compliant

PART NUMBER:

OSTTJXX0150

No. of Poles
02 2 Poles
03 3 Poles
... ..
16 16 Poles

COLOR
0: Black
5: Green (Standard)
6: Blue
8: Grey



THESE DRAWINGS AND SPECIFICATIONS ARE THE PROPERTY OF ON-SHORE TECHNOLOGY, INC. AND SHALL NOT BE REPRODUCED, COPIED OR USED IN ANY MANNER WITHOUT THE PRIOR WRITTEN CONSENT OF ON-SHORE TECHNOLOGY, INC.

TITLE		OSTTJ-7.62mm Series 2p-16p				
PART NO.	OSTTJXX0150	DWG NO.	OSTTJXX0150.DWG			
APPROVED	CHECKED	DESIGNED	DRAWN	CUST NO.	Tolerance	
Shi Jun 2006.10.24	Marvin 2006.01.20	Marvin 2006.01.20	Marvin 2006.01.20		X. ±0.50	
					UNIT: mm SCALE: NONE	X.X ±0.30
				SHEET: 01/01	REV: C	X.XX ±0.10
						X° ±1°