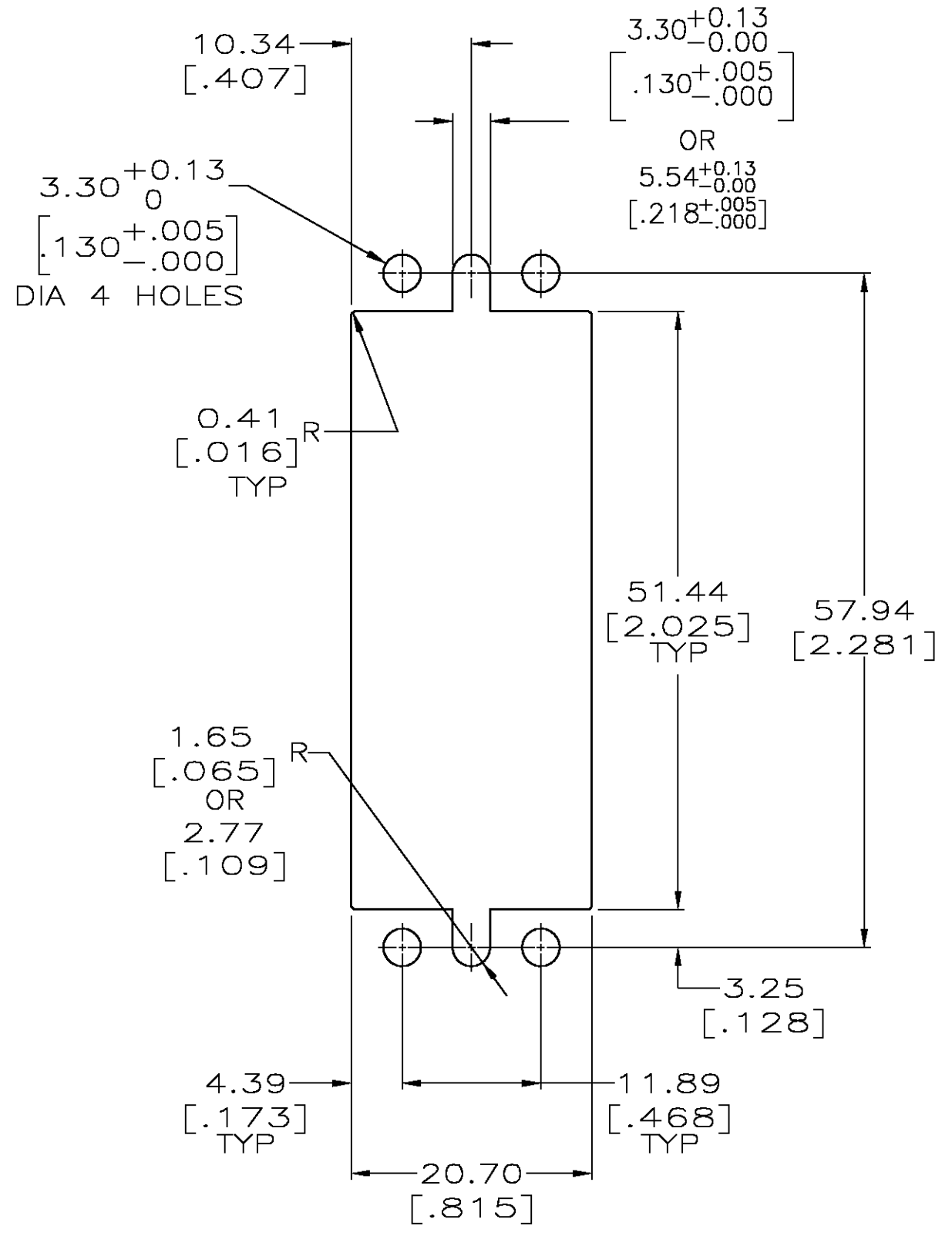
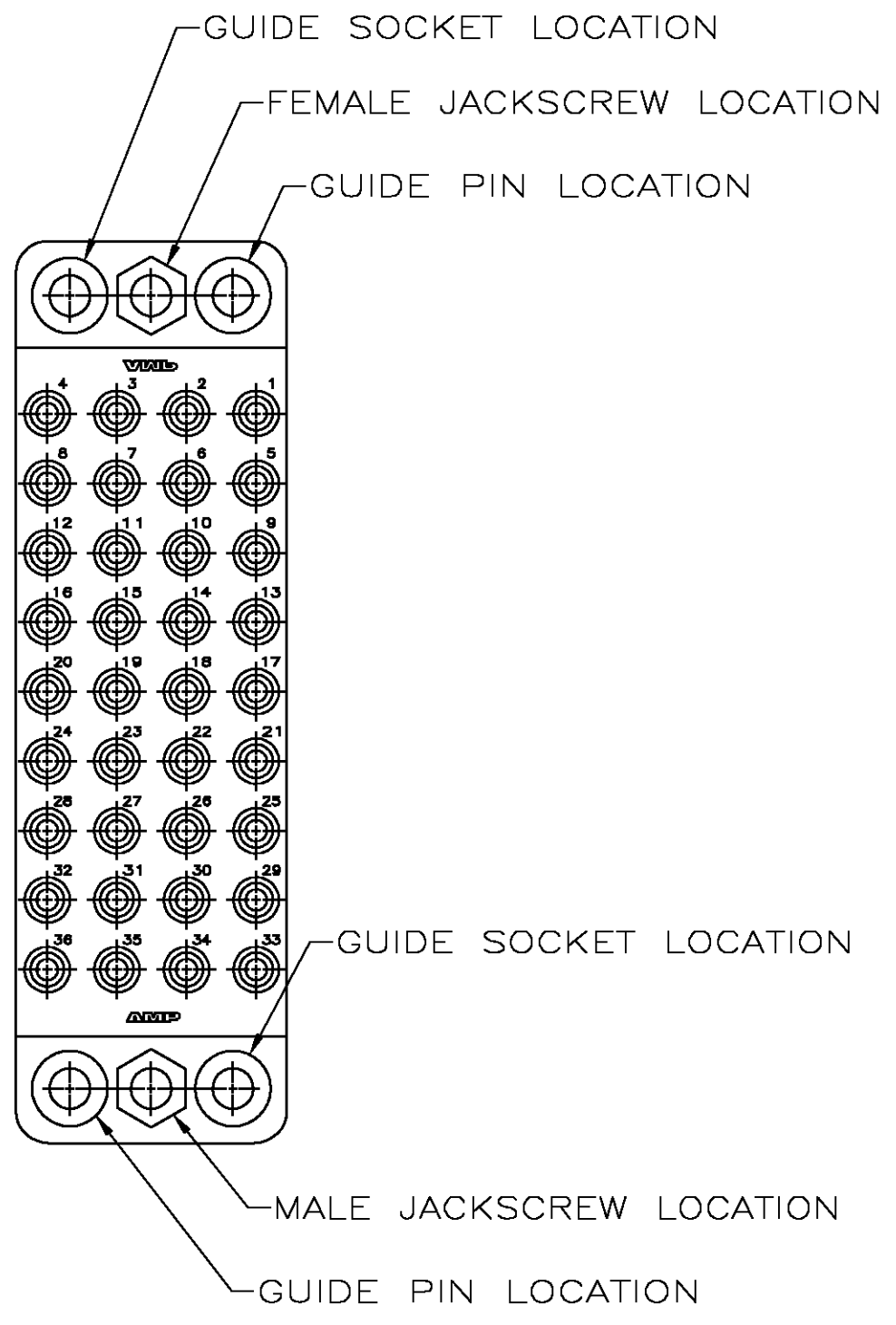
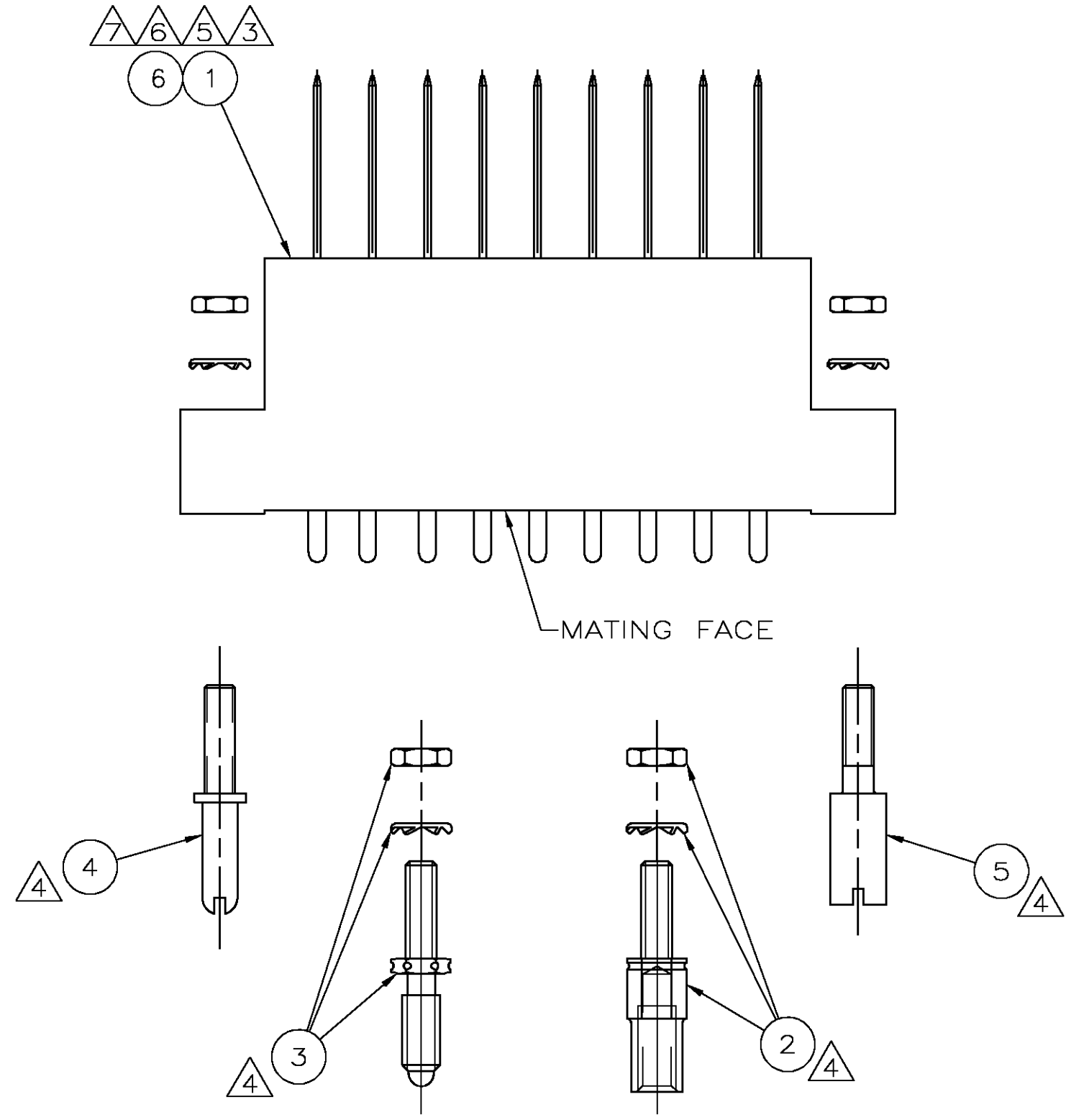


THIS DRAWING IS UNPUBLISHED. RELEASED FOR PUBLICATION
 © COPYRIGHT BY TYCO ELECTRONICS CORPORATION. ALL RIGHTS RESERVED.

LOC	DIST	REVISIONS					
FT	0	P	LTR	DESCRIPTION	DATE	DWN	APVD
		L		REVISED PER 0G3B-0095-05	3/31/05	SS	GS



MATING FACE

SUGGESTED PANEL CUT-OUT

- 1. REFER TO COMPONENT DRAWINGS FOR DETAILS.
- 2. FOR MATING KITS SEE AMP DWG. NO. 203959.
- 3 PHENOLIC, BLACK W/ 16 PIN CONTACT.
- 4 STAINLESS STEEL.
- 5 PIN CONTACT FOR 3 CLIP, SELECT GOLD PLATE.
- 6 INDICATES A 36 POSITION BLOCK ASSEMBLY.
- 7 TIN-LEAD PLATED POSTS ON 203958-3 AND TIN PLATED POSTS ON 203958-9.

QTY	LOC	DIST	PART NO	DESCRIPTION	ITEM NO.
1	-	-	205629-9	BLOCK ASSEMBLY	6
-	-	2	200835-2	GUIDE SOCKET ASSY, CORNER	5
-	-	2	200833-2	GUIDE PIN ASSY, CORNER	4
1	1	1	200874-1	FIXED JACKSCREW ASSY, MALE	3
1	1	1	200875-1	FIXED JACKSCREW ASSY, FEMALE	2
-	1	1	205629-1	BLOCK ASSY FOR TERMI-POINT CLIP	1
-9	-3	-1	PART NO	DESCRIPTION	ITEM NO.

THIS DRAWING IS A CONTROLLED DOCUMENT.

DWN K.FOLTZ 06/01/94	Tyco Electronics Corporation Harrisburg, Pa 17105-3608
CHK R.STONE 06/16/94	
APVD -	NAME
PRODUCT SPEC -	CONNECTOR KIT, UNASSEMBLED, .200 GRID, AUTOMATIC WIRING, 36 POSN, M SERIES
APPLICATION SPEC -	
MATERIAL -	FINISH -
WEIGHT -	SIZE A2
CUSTOMER DRAWING	CAGE CODE 00779
	DRAWING NO 203958
	RESTRICTED TO -
	SCALE 2:1
	SHEET 1 OF 1
	REV L